



RKA - 10"

# RKA



The RKA type combines a possibility to install both 10" and 19" equipment. A conversion from one standard to another is possible without replacement of a cabinet and cables.



### HIGH RIGIDITY CONSTRUCTION

Cabinet has a robust welded construction. High quality processing and the up-to-date technology ensure a perfect look of the cabinet.



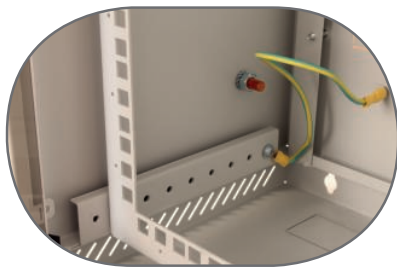
### FLEXIBLE DOOR OPENING

The hinge system enables a comfortable access.



### DOOR LOCK

Locks safely the cabinet and protects the installed devices.



### ADJUSTABLE ASSEMBLY FRAME

The adjustable 10"/19" frame can be adjusted within the inside of the cabinet and can be fitted into pre-arranged positions.

### DOOR

The cabinet has fully glass door in standard. It can be steel or perforated if required.



### BREAKOUT-TYPE BLANKING PANELS

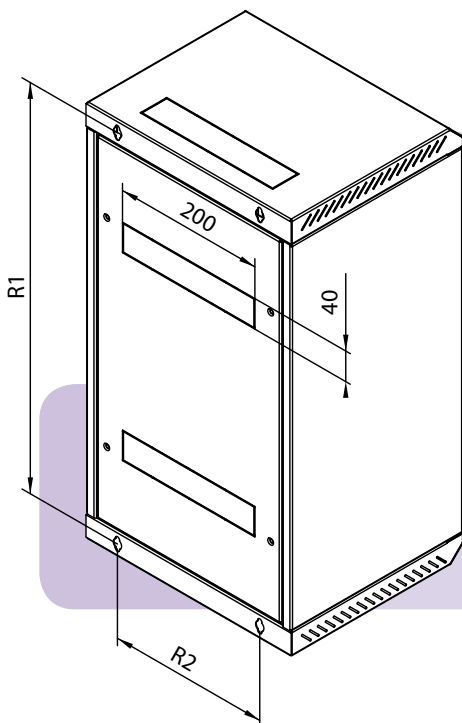
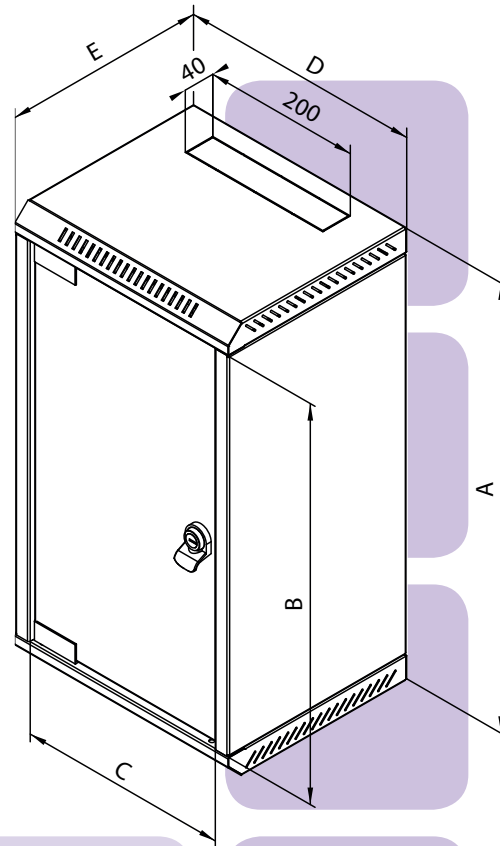
Cable openings covered with breakout-type blanking panels are located at the top, bottom and rear part of the cabinet.

## RKA 10"

TYP	A	B	C	D	E	R1	R2	Weight gross (kg)	Weight net (kg)	Maximal recommended load (kg)
	(mm)									
RKA-10-AS3-CAX-X1	570	505	270	310	260	538	212	11,4	11,1	20
RKA-10-AS4-CAX-X1	570	505	270	310	360	538	212	13,0	12,7	
RKA-10-AS5-CAX-X1	570	505	270	310	460	538	212	14,7	14,4	

### USE OF THE CABINET

Each cabinet allows to install 10" (10 Units horizontally) or 19" components (5 Units vertically). When the network must be spread, then it is not necessary to change an infrastructure. It is enough only to re-connect current cabling and new devices and patch panels. All this makes the cabinet to become a perfect solution for all small and mid-sized installations (SOHO solutions). The cabinet is offered in three different depths which cover basic dimensions of active components, which are also intended for such solutions.



## RKA WALL-MOUNTED CABINET – 10"/19"

### ■ DESCRIPTION, PURPOSE OF USE

- Demountable 19" wall mounted cabinet with IP 30 protection, supplied disassembled
- Cabinet is to be hanged right on the wall.
- Cabinet includes two adjustable vertical rails.
- Cabinet construction:
  - cabinet is made from parts joined by plastic pins
  - glass door: safety hardened glass, thickness 5 mm
- Max. permissible load of the door is 10 kg.
- Min. thickness of the surface finish is 65 µm.
- Cabinets are intended for installation of data and telecommunication devices and their distribution systems.
- All parts are connected with earthing cables that have to be properly fixed and inserted into connectors during all the time when using the cabinet.
- There is one M8 screw placed on the bottom part of the cabinet as an earthing main point.
- Cable openings covered with breakout-type blanking panels are placed in the top and the bottom part of the cabinet rear side, others are in the top and the bottom side of cabinet.

### ■ OPERATION CONDITIONS

- Operation environment:
  - office
  - the cabinet is not intended for outdoor installations and for installations in environment that can influence negatively the functionality of the cabinet and the mounted devices (e.g. environment with danger of explosion or humid and wet surroundings)
- Must be protected against:
  - mechanical damage
  - improper manipulation
  - a different usage than the cabinet is intended for
- Improper manipulation is especially:
  - overloading (maximum recommended load exceeding)
  - device installation that can influence negatively operation and function of the cabinet or the installed equipment
  - change of the construction or design of the cabinet

### ■ INSTALLATION OF THE CABINET

- It is necessary to assemble all single cabinet parts and to join them with delivered plastic pins. See the enclosed manual for the detailed mounting procedure.
- This type of cabinet is to be hanged right on the wall using screws, wall plugs and washers. Spacing of mounting holes is indicated as „R" in the cabinet scheme.
- To secure the maximum recommended load, it is necessary to fix the cabinet on the wall with an appropriate carrying capacity (brick, concrete or similar) and to distribute the installed loading equally.
- To avoid dust penetration in case that cables lead through some of the cable openings, you can seal it with the use of a blanking panel with a brush.

### ■ ENVIRONMENT PROTECTION

- All parts are made of recyclable materials and after its discard, it is necessary to dispose the cabinet according to valid regulations.

### ■ CERTIFICATE AND CONFORMITY

- This product is certified by ITI TÜV, certification number 01.064.846/09/07/02/0, date 10/12/2009 and is fully in accordance with ČSN EN 62208 (357040), (EN 62208:2003), (idt IEC 62208:2002).