

BEST CONTACTS FOR YOUR SUCCESS

NETWORKING COMPONENTS

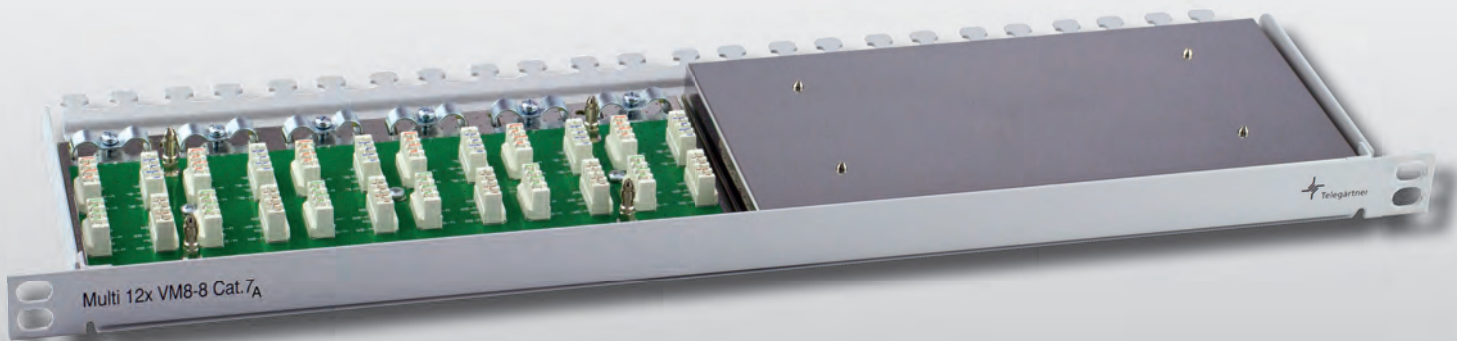
COAXIAL CONNECTORS

CABLE ASSEMBLIES

PRECISION TURNED PARTS

PLASTIC INJECTION MOULD PARTS

INDUSTRIAL ELECTRONICS



Cat.7_A

1000
MHz

PoE+

fully
shielded

REAL-TIME
RE-EMBEDDED

DataVoice

Connection Modules Cat.7_A

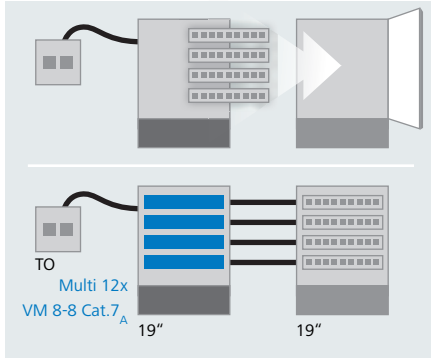
Connection Modules Cat.7_A 1000 MHz

The VM 8-8 modules Cat.7_A are employed as connections/ extensions of commercially available, shielded/unshielded twisted-pair installation cables (Cat.5e/Cat.6/Cat.6_A/Cat.7/Cat.7_A) in the following applications: damaged cables, cable extensions, cable rerouting. When VM 8-8 Cat.7_A modules are used, the cable segments in a structured wiring system do not

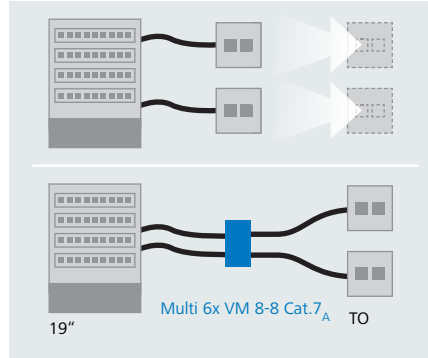
need to be laid out again.

This reduces the expenses for alterations and the overall costs to a minimum. Depending on the connection module type, up to 12 incoming and 12 outgoing 8-wire cables can be permanently connected together without any significant reduction in the transmission characteristics or limitation of the maximum link lengths.

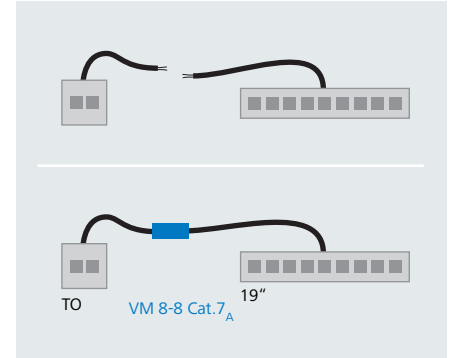
Application fields



Cable rerouting



Cable extensions

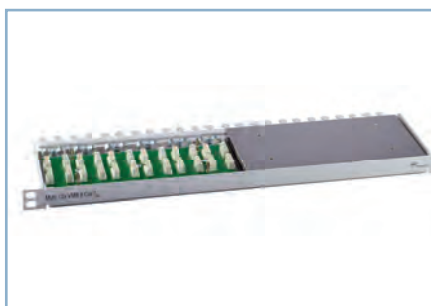


Damaged cables

Performance Characteristics

- Connecting hardware Cat.7_A (1000 MHz)
- real-time re-embedded
- suitable for 100/250/500/1000 MHz installation cables
- connection via LSA Plus terminals on a common PCB
- colour coding in acc. with EIA/TIA 568A and B
- connection of 4-pair shielded/unshielded installation cables from AWG 24-22
- pairs can be brought directly up to the terminal without untwisting the pairs
- secure shielded contact using screw-on terminals directly on the PCB

- variable cable feeds
- cable strain relief using commercially available cable ties (VM 8-8, Cat.7_A)
- tool-free installation of shielding cover made of stainless steel (19" and on-wall mounted version)
- surface mount (AP) type: incoming and outgoing cables in the same direction
- surface mount, 19", and basic (for loose connection) version: incoming and outgoing cables offset by 180 degrees
- ground connection option directly on the PCB (M4 screw)
- EMC compatible in accordance with DIN EN 61000-6-1 and DIN 61000-6-2



Multi 12x VM 8-8 Cat.7_A
19" 1/2 HE Multi Connection Module
for 12 shielded and unshielded installation
cables



Multi 6x VM 8-8 Cat.7_A
wall housing for 6 shielded and unshielded
installation cables



VM 8-8 Cat.7_A
single module for shielded and unshielded
installation cables, also with mounting rail
adaptor

Order no.	Short name	Remarks	Colour
J00060A0072	Multi 12x VM 8-8 Cat.7 _A	19" 1/2 HE Multi Connection Module	light grey
J00060A0071	Multi 6x VM 8-8 Cat.7 _A	Wall housing	light grey
J00060A0069	VM 8-8 Cat.7 _A	Single Module	black
J00060B0069	VM 8-8 Cat.7 _A with mounting rail adaptor	Single Module	black